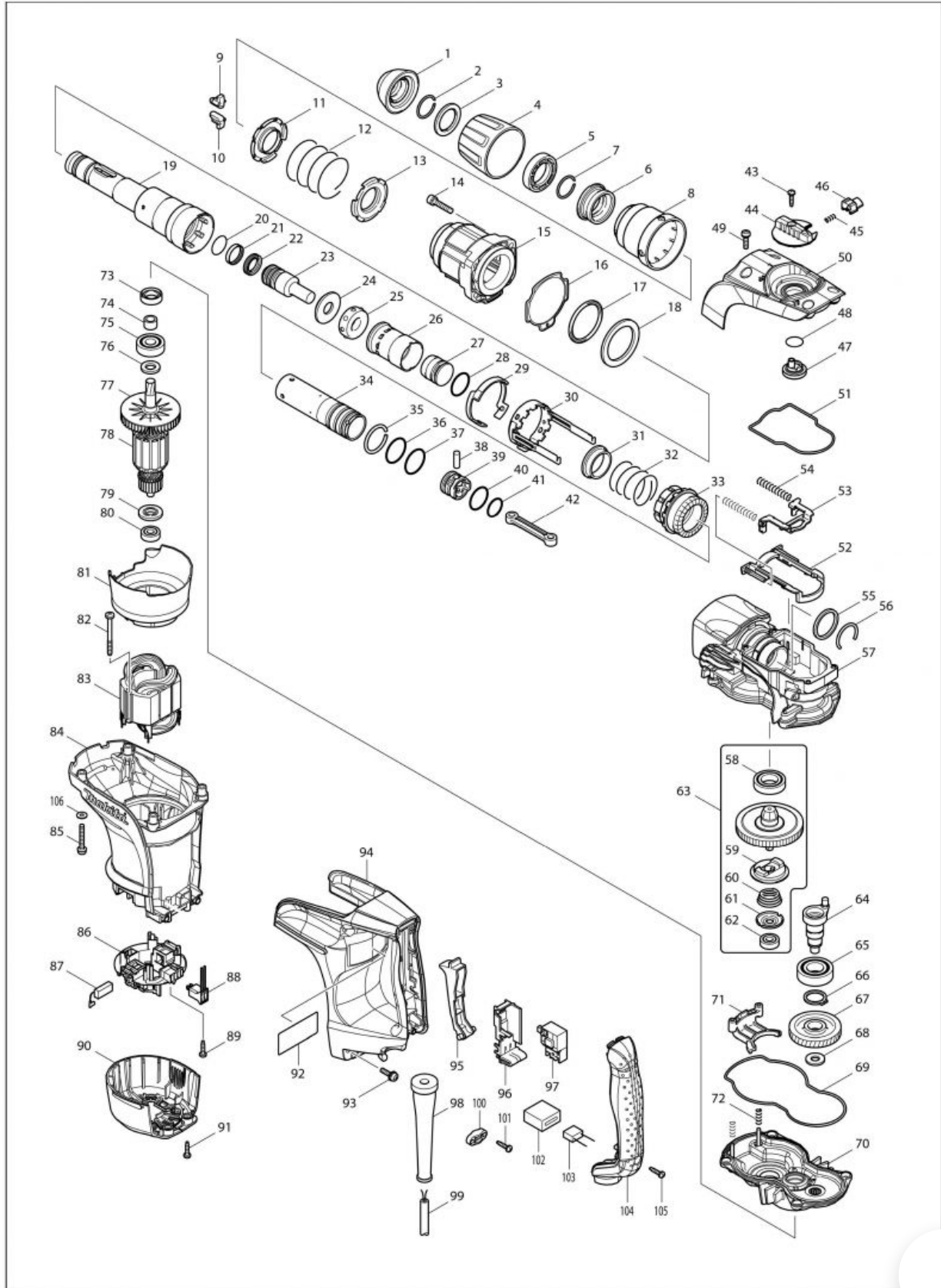


# Part Diagram

(MY) HR4002 / ROTARY HAMMER 40MM



Item	Sub	Parts No.	Parts Description	Qty
001		286272-3	TOOL HOLDER CAP	1
002		231984-3	RING SPRING 25	1
003		267272-2	FLAT WASHER 28	1
004		419015-0	CHUCK COVER	1
005		419002-9	SPACER	1
006		324548-1	CHUCK RING	1
007		231984-3	RING SPRING 25	1
008		419016-8	RELEASE COVER	1
009		310161-1	TOOL RETAINER	1
010		310161-1	TOOL RETAINER	1
011		345579-7	SPRING GUIDE	1
012		233431-0	COMPRESSION SPRING 48	1
013		345579-7	SPRING GUIDE	1
014		922351-0	HEX. SOCKET HEAD BOLT M6X30	4
015-3		141993-3	BARREL COMPLETE	1
	C10	213490-0	OIL SEAL 32	1
	C20	233963-7	RING SPRING 45	1
016-1		424565-2	SEAL SHEET	1
017		262116-1	URETHAN RING 45	1
018		267336-2	FLAT WASHER 45	1
019		324542-3	TOOL HOLDER	1
020		213317-4	O RING 20	1
021		213392-0	FLUORIDE RING 25	1
022		213281-9	X-RING 18	1
023		324569-3	IMPACT BOLT	1
024		324573-2	RING 17	1
025		421901-3	RUBBER RING 17	1
026		419003-7	SLIDE SLEEVE	1
027		324571-6	STRIKER	1
028		213962-5	O RING 22	1
029		419760-7	LOCK SLEEVE GUIDE	1
030-1		165633-9	LOCK SLEEVE	1
031		331709-6	RING 33	1
032		233448-3	COMPRESSION SPRING 37	1
033		227509-9	STRAIGHT BEVEL GEAR 25	1
034-1		326221-9	CYLINDER 28.5	1
035		233935-2	RING SPRING 32	1
036		213406-5	O RING 30	1
037		213406-5	O RING 30	1
038		256197-5	PIN 7	1
039		419004-5	PISTON	1
040		213962-5	O RING 22	1
041		213379-2	O RING 21	1
042-1		419875-0	CONECTING ROD	1
043		266326-2	TAPPING SCREW 4X18	1
044-1		450428-6	CHANGE LEVER	1
045		233436-0	COMPRESSION SPRING 3	1
046		419873-4	LOCK BUTTON	1
047-1		450427-8	LINK LEVER	1
048-1		213278-8	O RING 17	1
049		911231-5	PAN HEAD SCREW M5X20	4
050-1		168456-4	CRANK CAP COVER COMPLETE	1
	C10	419919-6	CRANK CAP COVER	1
051-2		424566-0	SEAL RING	1
052		419874-2	LINK PLATE GUIDE	1
053		345582-8	LINK PLATE	1
054		233432-8	COMPRESSION SPRING 7	1
055		257268-1	RING 33	1

Item	Sub	Parts No.	Parts Description	Qty
056		233937-8	RING SPRING 31	1
057		158231-6	CRANK HOUSING COMPLETE	1
058		211323-3	BALL BEARING 6904LLU	1
059		324549-9	DRIVING FLANGE	1
060		233936-0	CONICAL COMPRESSIONSPRING19-27	1
061		345581-0	CUP WASHER 8	1
062		210005-4	BALL BEARING 608DDW	1
063-1		135508-6	TORQUE LIMITER ASS'Y	1
	C10	267456-2	THIN WASHER 38	1
	D10		INC. 58-62	
064		324550-4	CRANK SHAFT	1
065		211332-2	BALL BEARING 6004LLU	1
066		961060-6	RETAINING RING S-20	1
067		226648-2	HELICAL GEAR 46	1
068		253180-3	FLAT WASHER 10	1
069-1		424551-3	SEAL RING	1
070-1		158232-4	GEAR HOUSING COMPLETE	1
071		419018-4	CHANGE PLATE	1
072		233433-6	COMPRESSION SPRING 5	2
073		213231-4	OIL SEAL 15	1
074		331596-3	SLEEVE 12	1
075		211137-0	BALL BEARING 6201LLU	1
076		253084-9	FLAT WASHER 12	1
077		241863-7	FAN 70	1
078		513699-7	ARMATURE ASS'Y 240V	1
	D10		INC. 74-77,79,80	
079		681644-1	INSULATION WASHER	1
080		210005-4	BALL BEARING 608DDW	1
081		419870-0	BAFFLE PLATE	1
082		266418-7	TAPPING SCREW 5X55	2
083		625764-1	FIELD 240V	1
084		419866-1	MOTOR HOUSING	1
085		922256-4	HEX. SOCKET HEAD BOLT M5X35	4
086		638393-1	BRUSH HOLDER UNIT	1
	C10	643816-6	BRUSH HOLDER	2
	C20	266007-8	TAPPING SCREW BIND PT 3X10	4
087		194160-9	CARBON BRUSH CB-350	1
088		638508-0	LEAD UNIT	1
089		266326-2	TAPPING SCREW 4X18	4
090		419867-9	REAR COVER	1
091		266326-2	TAPPING SCREW 4X18	2
092		863632-2	HR4002 NAME PLATE	1
093		911233-1	PAN HEAD SCREW M5X20	4
094		419868-7	HANDLE	1
095		419025-7	SWITCH LEVER	1
096		154626-1	SWITCH HOLDER COMPLETE	1
097-2		651922-3	SWITCH TG71B	1
098		682560-0	CORD GUARD 10	1
099		692623-4	POWER SUPPLY CORD 1.5-2-4.0	1
100		687140-7	STRAIN RELIEF	1
101		266326-2	TAPPING SCREW 4X18	2
104		419869-5	HANDLE COVER	1
105		266326-2	TAPPING SCREW 4X18	1
106		941101-4	FLAT WASHER 5	4
A01		158131-0	GRIP 36 COMPLETE	1
A01-1		135209-6	GRIP 36 ASS'Y	
	C10	158131-0	GRIP 36 COMPLETE	
	D10		INC. A03-A09	
A02-1		194683-7	GREASE VESSEL SET	1

Item	Sub	Parts No.	Parts Description	Qty
A03		265701-9	THUMB SCREW M6X14	1
A04		266163-4	CUP SQUARE NECK BOLT M8X80	1
A05		321248-4	DEPTH GAUGE	1
A06		344491-8	GRIP SPRING 68	1
A07		344492-6	PLATE	1
A08		416299-1	SIDE GRIP BASE 68	1
A09		931302-2	HEX. NUT M6	1
A10		824798-3	PLASTIC CARRYING CASE	1
	C10	163467-4	LATCH	2
A11		805512-6	HR4002 MODEL NO. LABEL	1

